

GB

Validity

These installation instructions are valid for the Sprinter, T1N.

Parts included

- (1) Additional wide-angle exterior mirror (left, B6 656 0397)
- (1) Additional wide-angle exterior mirror (right, B6 656 0398)
- (2) Torx screws (2 in total)

Tools needed

- Torx wrench T20
- Steel drill bit, dia. 0.12" (3.0 mm)
- Steel drill bit, dia. 0.18" (4.5 mm)

Notes

Please contact a Mercedes-Benz Service Centre if you encounter difficulties when fitting the mirrors.

The manufacturer reserves the right to change technical details from those shown in the illustrations contained in the installation instructions.

When the additional wide-angle exterior mirror is fitted on the Sprinter cargo/passenger van, the overall view of the road (on the passenger side) in the mirror is somewhat obscured by the vehicle's A-pillar. However, this does not prevent you from having a proper overview of road and traffic conditions.



Risk of injury

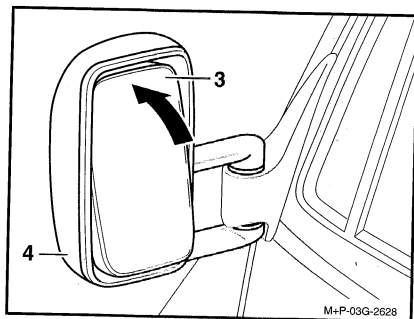
Follow each installation step exactly and observe the general notes. If the additional wide-angle exterior mirrors are not fitted properly, they could come loose from the vehicle and pose a serious risk of injury to you and other persons and/or cause damage to property, including your own vehicle.

Important

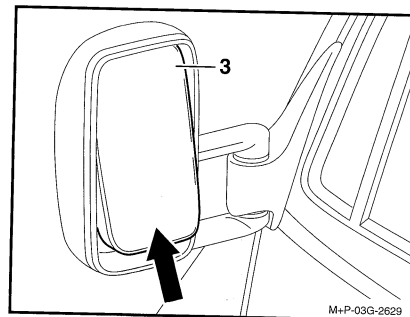
Adjust the vehicle's standard exterior mirror and the additional wide-angle exterior mirror before each trip. Adjust the mirrors only when the vehicle is stationary.

Installation

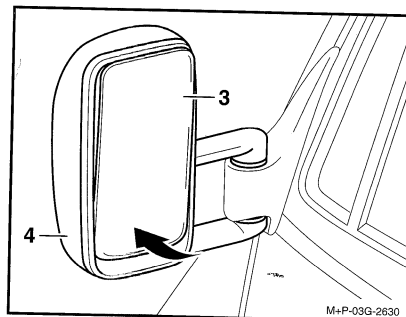
Installation of the additional wide-angle exterior mirror is shown using the left-hand side of the vehicle as an example. The same procedure is used to fit the mirror on the right-hand side.



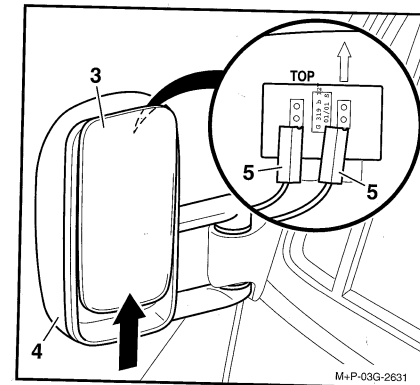
1. Press the top end of the mirror glass (3) in the existing standard exterior mirror (4) inwards as far as it will go (arrow).



2. Grasp the lower edge of the mirror glass (3) and push it upwards as far as it will go (arrow).



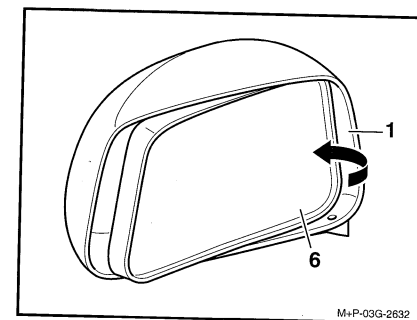
3. Press the bottom end of the mirror glass (3) in the standard exterior mirror (4) inwards as far as it will go (arrow).



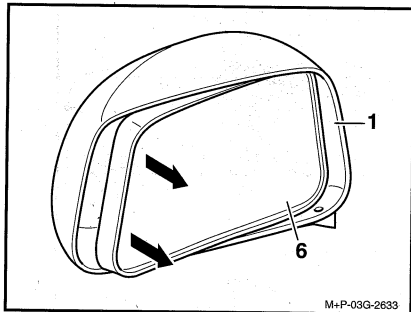
Important

Take care not to damage the electric contacts for the electrically heated mirror.

4. Carefully slide the mirror glass (3) upwards as far as it will go and take the mirror glass (3) approximately 2" (5 cm) out of the exterior mirror's housing (4).
5. Remove the plugs (5) (optional equipment) from the contacts and set the mirror glass (3) aside in a safe place.

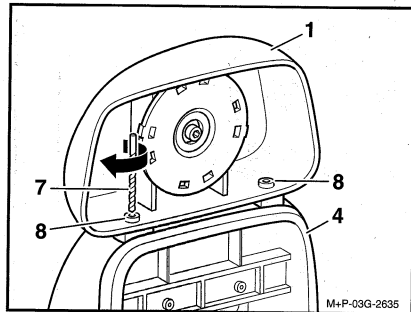


6. Press the mirror glass (6) on one side of the wide-angle auxiliary mirror (1) inwards as far as it will go.



M+P-03G-2633

7. Carefully pull the mirror glass (6) away from and out of the housing of the additional wide-angle exterior mirror (1) (arrows).

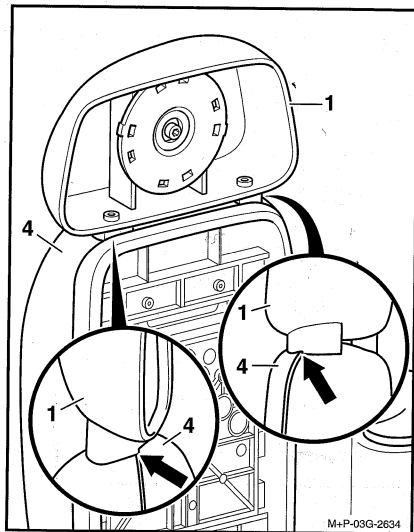


M+P-03G-2635

9. Insert the 0.12" (3 mm) dia. drill bit (7) down through the threaded inserts until it makes contact with the housing for the standard mirror (8); then turn the drill bit (7) through approximately 2 complete revolutions.

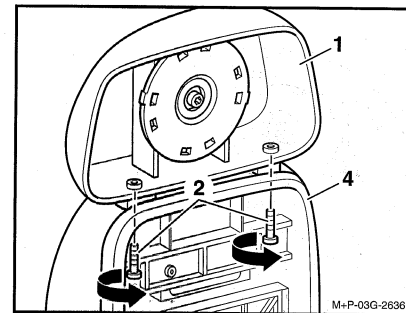
10. Remove the 0.12" (3 mm) dia. drill bit (7) along with the housing for the additional wide-angle exterior mirror (1) from the housing for the standard exterior mirror (4).

11. Using the 0.18" (4.5 mm) dia. drill bit, carefully drill the holes into the housing of the standard exterior mirror (4).



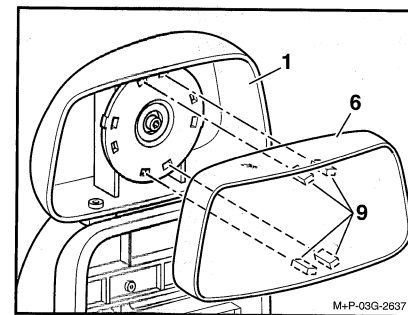
M+P-03G-2634

8. Place the housing for the additional wide-angle exterior mirror (1) on top of the housing for the standard exterior mirror (4). While doing so, ensure that the mounting feet on the additional wide-angle exterior mirror's housing (1) are aligned exactly with the ridge on the housing for the standard exterior mirror (4) (arrows).



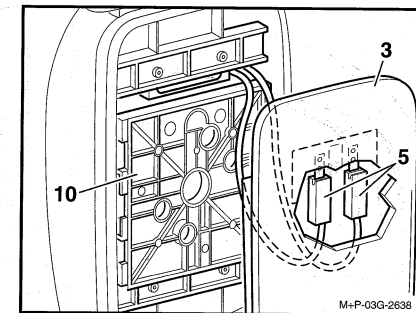
M+P-03G-2636

12. Place the housing for the additional wide-angle exterior mirror (1) on top of the housing of the standard exterior mirror (4) (align it with the ridge) and fasten it down in place with the Torx screws (2), tightening each screw alternately.



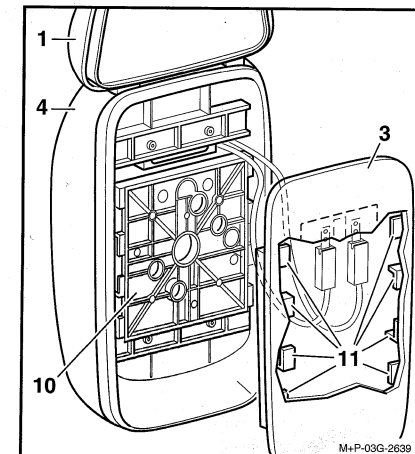
M+P-03G-2637

13. Place the mirror glass (6) for the additional wide-angle exterior mirror (1) in the housing with the prongs aligned as shown (9) and carefully press the mirror glass fully into the housing using the heels of both hands. The mirror glass (6) must audibly engage in its mounting.



M+P-03G-2638

14. Press the plugs (5) (optional equipment) onto the contacts at the mirror glass (3) and run the cable over the bracket (10).



M+P-03G-2638

15. Place the mirror glass (3) for the standard exterior mirror with the prongs (11) aligned with the bracket (10) and push the mirror glass (3) down as far as it will go.

16. Adjust the standard exterior mirror (4) and the additional wide-angle exterior mirror (1) as necessary.